

INTERNATIONAL STANDARD

NORME INTERNATIONALE

**Lightning protection system components (LPSC) –
Part 5: Requirements for earth electrode inspection housings and earth
electrode seals**

**Composants de système de protection contre la foudre (CSPF) –
Partie 5: Exigences pour les regards de visite et les joints d'étanchéité des
électrodes de terre**



THIS PUBLICATION IS COPYRIGHT PROTECTED

Copyright © 2011 IEC, Geneva, Switzerland

All rights reserved. Unless otherwise specified, no part of this publication may be reproduced or utilized in any form or by any means, electronic or mechanical, including photocopying and microfilm, without permission in writing from either IEC or IEC's member National Committee in the country of the requester.

If you have any questions about IEC copyright or have an enquiry about obtaining additional rights to this publication, please contact the address below or your local IEC member National Committee for further information.

Droits de reproduction réservés. Sauf indication contraire, aucune partie de cette publication ne peut être reproduite ni utilisée sous quelque forme que ce soit et par aucun procédé, électronique ou mécanique, y compris la photocopie et les microfilms, sans l'accord écrit de la CEI ou du Comité national de la CEI du pays du demandeur.

Si vous avez des questions sur le copyright de la CEI ou si vous désirez obtenir des droits supplémentaires sur cette publication, utilisez les coordonnées ci-après ou contactez le Comité national de la CEI de votre pays de résidence.

IEC Central Office
3, rue de Varembe
CH-1211 Geneva 20
Switzerland
Email: inmail@iec.ch
Web: www.iec.ch

About the IEC

The International Electrotechnical Commission (IEC) is the leading global organization that prepares and publishes International Standards for all electrical, electronic and related technologies.

About IEC publications

The technical content of IEC publications is kept under constant review by the IEC. Please make sure that you have the latest edition, a corrigenda or an amendment might have been published.

- Catalogue of IEC publications: www.iec.ch/searchpub

The IEC on-line Catalogue enables you to search by a variety of criteria (reference number, text, technical committee,...). It also gives information on projects, withdrawn and replaced publications.

- IEC Just Published: www.iec.ch/online_news/justpub

Stay up to date on all new IEC publications. Just Published details twice a month all new publications released. Available on-line and also by email.

- Electropedia: www.electropedia.org

The world's leading online dictionary of electronic and electrical terms containing more than 20 000 terms and definitions in English and French, with equivalent terms in additional languages. Also known as the International Electrotechnical Vocabulary online.

- Customer Service Centre: www.iec.ch/webstore/custserv

If you wish to give us your feedback on this publication or need further assistance, please visit the Customer Service Centre FAQ or contact us:

Email: csc@iec.ch
Tel.: +41 22 919 02 11
Fax: +41 22 919 03 00

A propos de la CEI

La Commission Electrotechnique Internationale (CEI) est la première organisation mondiale qui élabore et publie des normes internationales pour tout ce qui a trait à l'électricité, à l'électronique et aux technologies apparentées.

A propos des publications CEI

Le contenu technique des publications de la CEI est constamment revu. Veuillez vous assurer que vous possédez l'édition la plus récente, un corrigendum ou amendement peut avoir été publié.

- Catalogue des publications de la CEI: www.iec.ch/searchpub/cur_fut-f.htm

Le Catalogue en-ligne de la CEI vous permet d'effectuer des recherches en utilisant différents critères (numéro de référence, texte, comité d'études,...). Il donne aussi des informations sur les projets et les publications retirées ou remplacées.

- Just Published CEI: www.iec.ch/online_news/justpub

Restez informé sur les nouvelles publications de la CEI. Just Published détaille deux fois par mois les nouvelles publications parues. Disponible en-ligne et aussi par email.

- Electropedia: www.electropedia.org

Le premier dictionnaire en ligne au monde de termes électroniques et électriques. Il contient plus de 20 000 termes et définitions en anglais et en français, ainsi que les termes équivalents dans les langues additionnelles. Egalement appelé Vocabulaire Electrotechnique International en ligne.

- Service Clients: www.iec.ch/webstore/custserv/custserv_entry-f.htm

Si vous désirez nous donner des commentaires sur cette publication ou si vous avez des questions, visitez le FAQ du Service clients ou contactez-nous:

Email: csc@iec.ch
Tél.: +41 22 919 02 11
Fax: +41 22 919 03 00



IEC 62561-5

Edition 1.0 2011-06

INTERNATIONAL STANDARD

NORME INTERNATIONALE

**Lightning protection system components (LPSC) –
Part 5: Requirements for earth electrode inspection housings and earth
electrode seals**

**Composants de système de protection contre la foudre (CSPF) –
Partie 5: Exigences pour les regards de visite et les joints d'étanchéité des
électrodes de terre**

INTERNATIONAL
ELECTROTECHNICAL
COMMISSION

COMMISSION
ELECTROTECHNIQUE
INTERNATIONALE

PRICE CODE
CODE PRIX

M

ICS 29.020; 91.120.40

ISBN 978-2-88912-558-6

CONTENTS

FOREWORD.....	3
INTRODUCTION.....	5
1 Scope.....	6
2 Normative references	6
3 Terms and definitions	6
4 Requirements	6
4.1 General	6
4.2 Documentation	7
4.3 Earth electrode inspection housing.....	7
4.4 Earth electrode seal	7
4.5 Marking	7
5 Tests	7
5.1 General test conditions.....	7
5.2 Earth electrode inspection housing.....	8
5.2.1 General	8
5.2.2 Load test	8
5.3 Earth electrode seal test.....	9
5.4 Marking	10
6 Electromagnetic compatibility (EMC)	10
7 Structure and content of the test report	11
7.1 General	11
7.2 Report identification	11
7.3 Specimen description	11
7.4 Standards and references	12
7.5 Test procedure	12
7.6 Testing equipment, description.....	12
7.7 Results and parameters recorded.....	12
Bibliography.....	13
Figure 1 – Test arrangement for load test	8
Figure 2 – Test arrangement for sealing test.....	10

INTERNATIONAL ELECTROTECHNICAL COMMISSION

LIGHTNING PROTECTION SYSTEM COMPONENTS (LPSC) –**Part 5: Requirements for earth electrode inspection housings
and earth electrode seals**

FOREWORD

- 1) The International Electrotechnical Commission (IEC) is a worldwide organization for standardization comprising all national electrotechnical committees (IEC National Committees). The object of IEC is to promote international co-operation on all questions concerning standardization in the electrical and electronic fields. To this end and in addition to other activities, IEC publishes International Standards, Technical Specifications, Technical Reports, Publicly Available Specifications (PAS) and Guides (hereafter referred to as "IEC Publication(s)"). Their preparation is entrusted to technical committees; any IEC National Committee interested in the subject dealt with may participate in this preparatory work. International, governmental and non-governmental organizations liaising with the IEC also participate in this preparation. IEC collaborates closely with the International Organization for Standardization (ISO) in accordance with conditions determined by agreement between the two organizations.
- 2) The formal decisions or agreements of IEC on technical matters express, as nearly as possible, an international consensus of opinion on the relevant subjects since each technical committee has representation from all interested IEC National Committees.
- 3) IEC Publications have the form of recommendations for international use and are accepted by IEC National Committees in that sense. While all reasonable efforts are made to ensure that the technical content of IEC Publications is accurate, IEC cannot be held responsible for the way in which they are used or for any misinterpretation by any end user.
- 4) In order to promote international uniformity, IEC National Committees undertake to apply IEC Publications transparently to the maximum extent possible in their national and regional publications. Any divergence between any IEC Publication and the corresponding national or regional publication shall be clearly indicated in the latter.
- 5) IEC itself does not provide any attestation of conformity. Independent certification bodies provide conformity assessment services and, in some areas, access to IEC marks of conformity. IEC is not responsible for any services carried out by independent certification bodies.
- 6) All users should ensure that they have the latest edition of this publication.
- 7) No liability shall attach to IEC or its directors, employees, servants or agents including individual experts and members of its technical committees and IEC National Committees for any personal injury, property damage or other damage of any nature whatsoever, whether direct or indirect, or for costs (including legal fees) and expenses arising out of the publication, use of, or reliance upon, this IEC Publication or any other IEC Publications.
- 8) Attention is drawn to the Normative references cited in this publication. Use of the referenced publications is indispensable for the correct application of this publication.
- 9) Attention is drawn to the possibility that some of the elements of this IEC Publication may be the subject of patent rights. IEC shall not be held responsible for identifying any or all such patent rights.

International Standard IEC 62561-5 has been prepared by IEC technical committee 81: Lightning protection.

The text of this standard is based on the following documents:

FDIS	Report on voting
81/391/FDIS	81/399/RVD

Full information on the voting for the approval of this standard can be found in the report on voting indicated in the above table.

This publication has been drafted in accordance with the ISO/IEC Directives, Part 2.

A list of all the parts in the IEC 62561 series, published under the general title *Lightning protection system components (LPSC)*, can be found on the IEC website.

The committee has decided that the contents of this publication will remain unchanged until the stability date indicated on the IEC web site under "<http://webstore.iec.ch>" in the data related to the specific publication. At this date, the publication will be

- reconfirmed,
- withdrawn,
- replaced by a revised edition, or
- amended.

www.international-electrotechnical-commission.com

INTRODUCTION

This Part 5 of IEC 62561 deals with the requirements and tests for lightning protection system components (LPSC) used for the installation of a lightning protection system (LPS) designed and implemented according to IEC 62305 series of standards.

LIGHTNING PROTECTION SYSTEM COMPONENTS (LPSC) –

Part 5: Requirements for earth electrode inspection housings and earth electrode seals

1 Scope

This Part 5 of IEC 62561 specifies the requirements and tests for

- earth electrode inspection housings (earth pit),
- earth electrode seals.

Lightning protection system components (LPSC) may also be suitable for use in hazardous atmospheres. Regard should then be taken of the extra requirements necessary for the components to be installed in such conditions.

NOTE Different requirements and test procedures are given in EN 124 and EN-1253-1.

2 Normative references

The following referenced documents are indispensable for the application of this document. For dated references, only the edition cited applies. For undated references, the latest edition of the referenced document (including any amendments) applies.

IEC 62305 (all parts), *Protection against lightning*

IEC 62305-3, *Protection against lightning – Part 3: Physical damage to structures and life hazard*

3 Terms and definitions

For the purposes of this document, the following terms and definitions apply

3.1

earth electrode inspection housing

metallic or non-metallic enclosure that houses the down conductor/earth termination connection for inspection and testing purposes and consists of a housing and a removable lid

3.2

earth electrode seal

water pressure seal used in conjunction with an earth rod electrode that passes through the foundation of the building, so preventing ground water from entering the building

4 Requirements

4.1 General

All earth electrode inspection housings and earth electrode seals shall be so designed and constructed that in normal use their performance is reliable and without danger to persons and the surrounding.

The choice of a material depends on its ability to match the particular application requirements.

4.2 Documentation

The manufacturer or supplier of the earth electrode inspection housing and earth electrode seals shall provide adequate information in his literature to ensure that the installer can select and install the materials in a suitable and safe manner, in accordance with IEC 62305-3.

Compliance is checked by inspection.

4.3 Earth electrode inspection housing

The design of the earth electrode inspection housing shall be such that it carries out its function of enclosing the down conductor/earth rod termination in an acceptable and safe manner, and has sufficient internal dimensions to permit the assembly/disassembly of the earth rod clamp. The housing body shall be deep enough to permit the lid to sit flush on the body without fouling on the rod/conductor/clamp assembly.

The material of the earth electrode inspection housing shall be compatible with its surrounding environment and shall comply with the tests given in 5.2.

4.4 Earth electrode seal

The design of the earth electrode seal shall be such that it carries out its function of preventing ground water bypassing the earth rod and entering the basement of a building, in an acceptable and safe manner.

The material of the earth electrode seal shall be compatible with its surrounding environment and comply with the tests given in 5.3.

4.5 Marking

All products complying with this standard shall be marked at least with the following:

- a) manufacturer's or responsible vendor's name or trade mark;
- b) identifying symbol.

Where this proves to be impractical the marking in accordance with b) may be given on the smallest packing unit.

NOTE Marking may be applied for example by moulding, pressing, engraving, printing adhesive labels or water slide transfers.

Compliance is checked in accordance with 5.4.

5 Tests

5.1 General test conditions

The tests in accordance with this standard are type tests.

Unless otherwise specified, tests are carried out with the specimens prepared as in normal use according to the manufacturer's or supplier instructions.

All tests are carried out on new specimens.

Unless otherwise specified, three specimens are subjected to the tests and the requirements are satisfied if all the tests are met. If only one of the specimens does not satisfy a test due to an assembly or a manufacturing fault, that test and any preceding one which may have influenced the results of the test shall be repeated. The tests which follow shall be carried out in the required sequence on another full set of specimens, all of which shall comply with the requirements.

NOTE The applicant may also submit an additional set of specimens which may be used should one specimen fail. The testing station will then, without further request, test the additional set of specimens and will reject only if a further failure occurs. If the additional set of specimens is not submitted at the same time, the failure of one specimen will entail rejection.

5.2 Earth electrode inspection housing

5.2.1 General

All tests shall be performed on three new lid specimens using one housing.

5.2.2 Load test

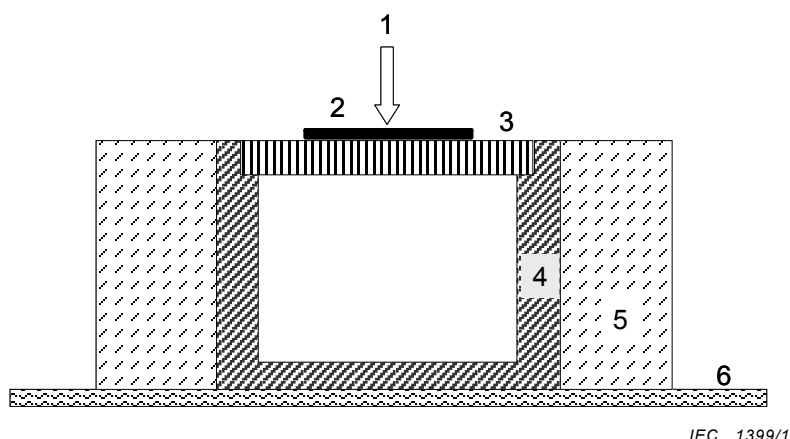
Concrete lid specimens shall be tested after a 28 day curing period. Lid specimens of all other materials shall be tested after a 7 days curing period.

The test is carried out on a complete assembly and prepared according to the manufacturer's instructions.

The housing of the specimen shall be cast in a concrete base following the manufacturer instructions.

The arrangement should be placed on a rigid support.

An example for the test arrangement is shown in Figure 1.



Key

- | | |
|------------------------|-----------------|
| 1 force | 4 housing |
| 2 circular steel plate | 5 concrete base |
| 3 removable lid | 6 rigid support |

Figure 1 – Test arrangement for load test

The product applicable for heavy duty usage (transport vehicle traffic, multi-axle, etc.) shall be subjected to a force of 30 kN vertically applied through a circular steel plate with a $170 \text{ mm} \pm 0,5 \text{ mm}$ diameter and a thickness of $20 \text{ mm} \pm 1 \text{ mm}$ with an edge radius of approximately 2 mm.

The product applicable for medium duty usage (automobiles, etc.) shall be subjected to a force of 15 kN vertically applied through a circular steel plate with a $130 \text{ mm} \pm 0,5 \text{ mm}$ diameter and a thickness of $20 \text{ mm} \pm 1 \text{ mm}$ with an edge radius of approximately 2 mm.

The product applicable for light duty usage (walkways, etc.) shall be subjected to a force of 4 kN vertically applied through a circular steel plate with a $62 \text{ mm} \pm 0,5 \text{ mm}$ diameter and a thickness of $20 \text{ mm} \pm 1 \text{ mm}$ with an edge radius of approximately 2 mm.

The centre of the circular plate should be positioned over the centre of the lid.

The force shall be gradually applied over $60 \text{ s} \pm 10 \text{ s}$ and maintained for $120 \text{ s} \pm 5 \text{ s}$.

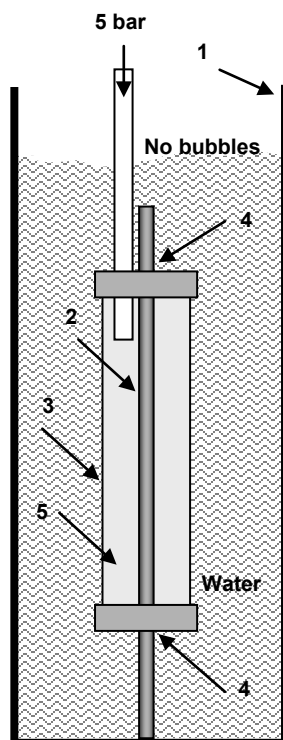
NOTE The tested load of the product should be declared by the manufacturer.

After the test, the specimens shall show no signs of disintegration, nor shall there be any cracks visible to normal or corrected vision without additional magnification. One minute after the load has been removed, there shall be no permanent deformation exceeding 3 mm.

The specimens are deemed to have passed the tests if all specimens meet the above requirements.

5.3 Earth electrode seal test

The earth electrode seal shall be assembled in accordance with the manufacturer's instructions in a typical test bed that proves its intended application (as shown in Figure 2).



IEC 1400/11

Key

- 1 tank filled with water
- 2 earth electrode
- 3 earth electrode seal arrangement
- 4 seals
- 5 air

Figure 2 – Test arrangement for sealing test

A minimum air pressure of 5 bar shall be applied for 24 h continuous to the seal arrangement.

The specimens are deemed to have passed the test if no leakage shall be detected at the sealing points at the completion of the test.

5.4 Marking

Marking made by moulding, pressing or engraving is not subjected to this test.

The marking is checked by inspection and by rubbing it by hand for 15 s with a piece of cloth soaked with water and again for 15 s with a piece of cloth soaked by white spirit.

After the test the marking shall be legible.

6 Electromagnetic compatibility (EMC)

Products covered by this standard are, in normal use, passive in respect of electromagnetic influences (emission and immunity).

7 Structure and content of the test report

7.1 General

The purpose of this clause is to provide general requirements for laboratory test reports. It is intended to promote clear, complete reporting procedures for laboratories submitting test reports.

The results of each test carried out by the laboratory shall be reported accurately, clearly, unambiguously and objectively, in accordance with any instructions in the test methods. The results shall be reported in a test report and shall include all the information necessary for the interpretation of the test results and all information required by the method used.

Particular care and attention shall be paid to the arrangement of the report, especially with regard to presentation of the test data and ease of assimilation by the reader. The format shall be carefully and specifically designed for each type of test carried out, but the headings shall be standardized as indicated herein.

The structure of each report shall include at least the information according to 7.2 to 7.7.

7.2 Report identification

7.2.1 A title or subject of the report.

7.2.2 Name, address and telephone number of the test laboratory.

7.2.3 Name, address and telephone number of the sub test laboratory where the test was carried out if different from company which has been assigned to perform the test.

7.2.4 Unique identification number (or serial number) of the test report.

7.2.5 Name and address of the vendor.

7.2.6 Report shall be paginated and the total number of pages indicated.

7.2.7 Date of issue of report.

7.2.8 Date(s) of performance of test(s).

7.2.9 Signature and title, or an equivalent identification of the person(s) authorized to sign for the testing laboratory for the content of the report.

7.2.10 Signature and title of person(s) conducting the test.

7.3 Specimen description

7.3.1 Detailed description and unambiguous identification of the test specimen and/or test assembly.

7.3.2 Characterization and condition of the test specimen and/or test assembly.

7.3.3 Sampling procedure, where relevant.

7.3.4 Date of receipt of test items.

7.3.5 Photographs, drawings or any other visual documentation, if available.

7.4 Standards and references

7.4.1 Identification of the test standard used and the date of issue of the standard.

7.4.2 Other relevant documentation with the documentation date.

7.5 Test procedure

7.5.1 Description of the test procedure.

7.5.2 Justification for any deviations from, additions to or exclusions from the referenced standard.

7.5.3 Any other information relevant to a specific test such as environmental conditions.

7.5.4 Configuration of testing assembly.

7.5.5 Location of the arrangement in the testing area and measuring techniques.

7.6 Testing equipment, description

7.6.1 Description of equipment used for every test conducted.

7.6.2 Measuring Instruments description

7.6.3 Characteristics, serial number and calibration date of all instruments used for measuring the values specified in the standard.

7.7 Results and parameters recorded

7.7.1 The required passing criteria for each test, defined by the standard.

7.7.2 The relevant observed or derived results of the tests.

7.7.3 A statement of pass/fail identifying the part of the test for which the specimen has failed and also a description of the failure.

The above shall be presented by tables, graphs, drawings, photographs or other documentation of visual observations as appropriate.

Bibliography

EN 124:1994, *Gully tops and manhole tops for vehicular and pedestrian areas – Design requirements, type testing, marking, quality control*

EN 1253-1:2003, *Gullies for buildings – Part 1: Requirements*

SOMMAIRE

AVANT-PROPOS.....	15
INTRODUCTION.....	17
1 Domaine d'application	18
2 Références normatives.....	18
3 Termes et définitions	18
4 Exigences	19
4.1 Généralités.....	19
4.2 Documentation	19
4.3 Regard de visite d'électrode de terre	19
4.4 Joint d'étanchéité d'électrode de terre	19
4.5 Marquage	19
5 Essais	20
5.1 Conditions générales d'essais	20
5.2 Regard de visite d'électrode de terre	20
5.2.1 Généralités.....	20
5.2.2 Essai de charge.....	20
5.3 Essai de joint d'étanchéité d'électrode de terre	21
5.4 Marquage	22
6 Compatibilité électromagnétique (CEM).....	22
7 Structure et contenu du rapport d'essai	23
7.1 Généralités.....	23
7.2 Identification du rapport.....	23
7.3 Description de l'échantillon.....	23
7.4 Normes et références	24
7.5 Procédure d'essai	24
7.6 Description des équipements et appareils d'essai.....	24
7.7 Résultats et paramètres enregistrés	24
Bibliographie.....	25
Figure 1 – Installation d'essai pour l'essai de charge	21
Figure 2 – Installation d'essai pour l'essai d'étanchéité.....	22

www.spic.ir

COMMISSION ÉLECTROTECHNIQUE INTERNATIONALE

COMPOSANTS DE SYSTÈME DE PROTECTION CONTRE LA Foudre (CSPF) –

Partie 5: Exigences pour les regards de visite et les joints d'étanchéité des électrodes de terre

AVANT-PROPOS

- 1) La Commission Electrotechnique Internationale (CEI) est une organisation mondiale de normalisation composée de l'ensemble des comités électrotechniques nationaux (Comités nationaux de la CEI). La CEI a pour objet de favoriser la coopération internationale pour toutes les questions de normalisation dans les domaines de l'électricité et de l'électronique. A cet effet, la CEI – entre autres activités – publie des Normes internationales, des Spécifications techniques, des Rapports techniques, des Spécifications accessibles au public (PAS) et des Guides (ci-après dénommés "Publication(s) de la CEI"). Leur élaboration est confiée à des comités d'études, aux travaux desquels tout Comité national intéressé par le sujet traité peut participer. Les organisations internationales, gouvernementales et non gouvernementales, en liaison avec la CEI, participent également aux travaux. La CEI collabore étroitement avec l'Organisation Internationale de Normalisation (ISO), selon des conditions fixées par accord entre les deux organisations.
- 2) Les décisions ou accords officiels de la CEI concernant les questions techniques représentent, dans la mesure du possible, un accord international sur les sujets étudiés, étant donné que les Comités nationaux de la CEI intéressés sont représentés dans chaque comité d'études.
- 3) Les Publications de la CEI se présentent sous la forme de recommandations internationales et sont agréées comme telles par les Comités nationaux de la CEI. Tous les efforts raisonnables sont entrepris afin que la CEI s'assure de l'exactitude du contenu technique de ses publications; la CEI ne peut pas être tenue responsable de l'éventuelle mauvaise utilisation ou interprétation qui en est faite par un quelconque utilisateur final.
- 4) Dans le but d'encourager l'uniformité internationale, les Comités nationaux de la CEI s'engagent, dans toute la mesure possible, à appliquer de façon transparente les Publications de la CEI dans leurs publications nationales et régionales. Toutes divergences entre toutes Publications de la CEI et toutes publications nationales ou régionales correspondantes doivent être indiquées en termes clairs dans ces dernières.
- 5) La CEI elle-même ne fournit aucune attestation de conformité. Des organismes de certification indépendants fournissent des services d'évaluation de conformité et, dans certains secteurs, accèdent aux marques de conformité de la CEI. La CEI n'est responsable d'aucun des services effectués par les organismes de certification indépendants.
- 6) Tous les utilisateurs doivent s'assurer qu'ils sont en possession de la dernière édition de cette publication.
- 7) Aucune responsabilité ne doit être imputée à la CEI, à ses administrateurs, employés, auxiliaires ou mandataires, y compris ses experts particuliers et les membres de ses comités d'études et des Comités nationaux de la CEI, pour tout préjudice causé en cas de dommages corporels et matériels, ou de tout autre dommage de quelque nature que ce soit, directe ou indirecte, ou pour supporter les coûts (y compris les frais de justice) et les dépenses découlant de la publication ou de l'utilisation de cette Publication de la CEI ou de toute autre Publication de la CEI, ou au crédit qui lui est accordé.
- 8) L'attention est attirée sur les références normatives citées dans cette publication. L'utilisation de publications référencées est obligatoire pour une application correcte de la présente publication.
- 9) L'attention est attirée sur le fait que certains des éléments de la présente Publication de la CEI peuvent faire l'objet de droits de brevet. La CEI ne saurait être tenue pour responsable de ne pas avoir identifié de tels droits de brevets et de ne pas avoir signalé leur existence.

La Norme internationale CEI 62561-5 a été établie par le comité d'études 81 de la CEI: Protection contre la foudre.

Le texte de cette norme est issu des documents suivants:

FDIS	Rapport de vote
81/391/FDIS	81/399/RVD

Le rapport de vote indiqué dans le tableau ci-dessus donne toute information sur le vote ayant abouti à l'approbation de cette norme.

Cette publication a été rédigée selon les Directives ISO/CEI, Partie 2.

Une liste de toutes les parties de la série CEI 62561, publiées sous le titre général *Composants de système de protection contre la foudre (CSPF)*, peut être consultée sur le site web de la CEI.

Le comité a décidé que le contenu de cette publication ne sera pas modifié avant la date de stabilité indiquée sur le site web de la CEI sous "<http://webstore.iec.ch>" dans les données relatives à la publication recherchée. A cette date, la publication sera

- reconduite,
- supprimée,
- remplacée par une édition révisée, ou
- amendée.

INTRODUCTION

La présente Partie 5 de la CEI 62561 traite des exigences et des essais pour les composants de système de protection contre la foudre (CSPF) utilisés pour l'installation d'un système de protection contre la foudre (SPF) conçu et mis en œuvre conformément à la série de normes CEI 62305.

COMPOSANTS DE SYSTÈME DE PROTECTION CONTRE LA Foudre (CSPF) –

Partie 5: Exigences pour les regards de visite et les joints d'étanchéité des électrodes de terre

1 Domaine d'application

La présente Partie 5 de la CEI 62561 spécifie les exigences et les essais pour

- les regards de visite des électrodes de terre (regard de terre),
- les joints d'étanchéité des électrodes de terre.

Les composants de système de protection contre la foudre (CSPF) peuvent aussi être employés dans des atmosphères dangereuses. Il convient alors de prendre en compte les exigences supplémentaires nécessaires pour que les composants soient installés dans de telles conditions.

NOTE Différentes exigences et procédures d'essais sont données dans la EN 124 et dans la EN 1253-1.

2 Références normatives

Les documents de référence suivants sont indispensables pour l'application du présent document. Pour les références datées, seule l'édition citée s'applique. Pour les références non datées, la dernière édition du document de référence s'applique (y compris les éventuels amendements).

CEI 62305 (toutes les parties), *Protection contre la foudre*

CEI 62305-3, *Protection contre la foudre – Partie 3: Dommages physiques sur les structures et risques humains*

3 Termes et définitions

Pour les besoins du présent document, les termes et définitions suivants s'appliquent.

3.1

regard de visite d'électrode de terre

enveloppe métallique ou non métallique abritant la connexion entre le conducteur de descente et la prise de terre, à des fins de contrôles et d'essais, et qui se compose d'un regard et d'un couvercle amovible

3.2

joint d'étanchéité d'électrode de terre

presse-étoupe utilisé avec un piquet de terre traversant les fondations d'un bâtiment, de manière à éviter toute remontée d'eau dans le bâtiment

4 Exigences

4.1 Généralités

Tous les regards de visite et joints d'étanchéité des électrodes de terre doivent être conçus et construits de manière à ce que leur efficacité en usage normal soit fiable et sans danger pour les personnes et leur entourage.

Le choix d'un matériau dépend de sa capacité à remplir les exigences d'application particulières.

4.2 Documentation

Le constructeur ou le fournisseur de regards de visite et joints d'étanchéité d'électrodes de terre doit fournir les informations adéquates dans la notice, afin de s'assurer que l'installateur puisse choisir et installer les matériaux de manière sûre et appropriée, conformément à la CEI 62305-3.

La conformité est vérifiée par examen.

4.3 Regard de visite d'électrode de terre

La conception d'un regard de visite d'électrode de terre doit être telle qu'il remplisse sa fonction d'enveloppe abritant la connexion entre le conducteur de descente et le piquet de terre de manière acceptable et sûre, et doit avoir des dimensions intérieures suffisantes pour permettre l'assemblage et le désassemblage des fixations de piquet de terre. Le regard de visite doit être suffisamment profond pour permettre au couvercle de ne pas faire pression sur l'assemblage piquet/conducteur/fixation.

Le matériau du regard de visite d'électrode de terre doit être compatible avec son environnement, et doit satisfaire aux essais décrits en 5.2.

4.4 Joint d'étanchéité d'électrode de terre

La conception du joint d'étanchéité d'électrode de terre doit être telle qu'il remplisse sa fonction d'étanchéité au niveau du piquet de terre, en empêchant l'eau de s'infiltrer le long dudit piquet dans la fondation du bâtiment, de manière acceptable et sûre.

Le matériau du joint d'étanchéité d'électrode de terre doit être compatible avec son environnement et satisfaire aux essais décrits en 5.3.

4.5 Marquage

Tous les produits conformes à la présente norme doivent porter le marquage minimal suivant:

- a) nom du constructeur ou du vendeur responsable, ou marque commerciale;
- b) symbole d'identification.

S'il est prouvé que le marquage suivant b) n'est pas possible, il peut être inscrit sur l'emballage le plus petit.

NOTE Le marquage peut être réalisé, par exemple, par moulage, pressage, gravure, impression d'étiquettes adhésives ou décalcomanies.

La conformité est vérifiée selon 5.4.

5 Essais

5.1 Conditions générales d'essais

Les essais conformes à la présente norme sont des essais de type.

Sauf spécification contraire, les essais sont réalisés avec des échantillons préparés comme en usage normal, en accord avec les instructions du constructeur ou du fournisseur.

Tous les essais sont effectués sur de nouveaux échantillons.

Sauf spécification contraire, les essais sont réalisés sur trois échantillons, et les exigences sont satisfaites si tous les essais sont réalisés avec succès. Si un seul des échantillons ne satisfait pas à un essai à cause d'un défaut d'assemblage ou de fabrication, cet essai et tout essai préalable qui peut avoir influencé les résultats de l'essai doivent être répétés. Les essais qui suivent doivent être effectués dans l'ordre requis sur un autre lot complet d'échantillons, qui doivent tous satisfaire aux exigences.

NOTE En cas de défaillance d'un échantillon, il est admis que le demandeur soumette également à l'essai un lot supplémentaire d'échantillons pouvant être utilisé. Le laboratoire d'essais soumettra alors aux essais, sans demande complémentaire, le lot supplémentaire d'échantillons, et ne le refusera que si une nouvelle défaillance se présente. Si le lot supplémentaire d'échantillons n'est pas soumis au même moment, une défaillance sur un échantillon entraînera un refus.

5.2 Regard de visite d'électrode de terre

5.2.1 Généralités

Tous les essais doivent être réalisés sur trois nouveaux échantillons de couvercle, en utilisant un regard.

5.2.2 Essai de charge

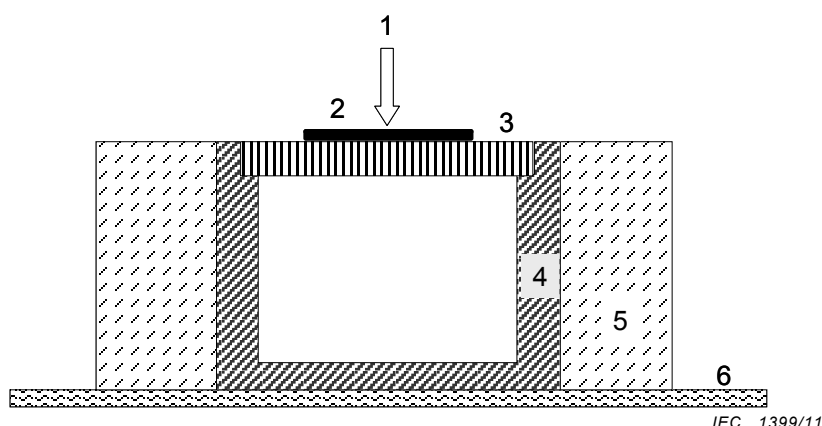
Des échantillons de couvercle en béton doivent être soumis aux essais après une période de repos de 28 jours. Les échantillons de couvercle réalisés à partir de tout autre matériau doivent être soumis aux essais après une période de repos de 7 jours.

Les essais sont réalisés avec des échantillons assemblés et préparés selon les instructions du constructeur.

Le regard de visite de l'échantillon doit être enchâssé dans une base en béton, en suivant les instructions du constructeur.

Il convient de placer l'ensemble sur un support rigide.

Un exemple de dispositif d'essai est représenté sur la Figure 1.

**Légende**

- | | | | |
|---|---------------------------|---|------------------|
| 1 | force | 4 | regard de visite |
| 2 | plaque circulaire d'acier | 5 | base en béton |
| 3 | couvercle amovible | 6 | support rigide |

IEC 1399/11

Figure 1 – Installation d'essai pour l'essai de charge

Les produits prévus pour un usage intense sous de fortes charges (trafic routier, axes multiples, etc.) doivent être soumis à une force verticale de 30 kN, appliquée par une plaque circulaire d'acier de $170 \text{ mm} \pm 0,5 \text{ mm}$ de diamètre et d'une épaisseur de $20 \text{ mm} \pm 1 \text{ mm}$ et ayant un chanfrein d'approximativement 2 mm de rayon.

Les produits prévus pour un usage sous des charges moyennes (automobiles, etc.) doivent être soumis à une force verticale de 15 kN, appliquée par une plaque circulaire d'acier de $130 \text{ mm} \pm 0,5 \text{ mm}$ de diamètre et d'une épaisseur de $20 \text{ mm} \pm 1 \text{ mm}$ et ayant un chanfrein d'approximativement 2 mm de rayon.

Les produits prévus pour un usage sous des charges légères (passage piéton, etc.) doivent être soumis à une force verticale de 4 kN, appliquée par une plaque circulaire d'acier de $62 \text{ mm} \pm 0,5 \text{ mm}$ de diamètre et d'une épaisseur de $20 \text{ mm} \pm 1 \text{ mm}$ et ayant un chanfrein d'approximativement 2 mm de rayon.

Il convient de faire coïncider le centre de la plaque circulaire avec celui du couvercle.

La force doit être appliquée graduellement pendant $60 \text{ s} \pm 10 \text{ s}$, et maintenue pendant $120 \text{ s} \pm 5 \text{ s}$.

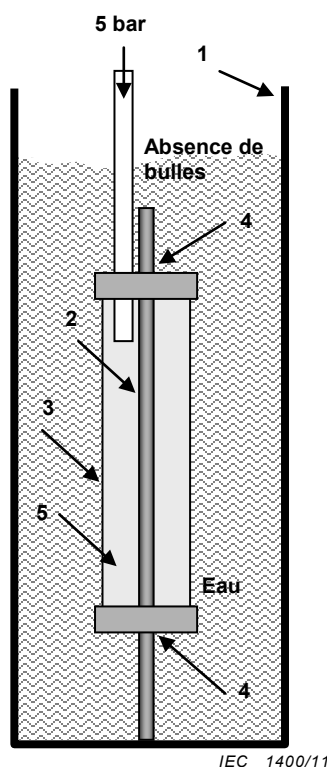
NOTE Il convient que la charge soumise aux essais du produit soit déclarée par le constructeur.

Après l'essai, les échantillons ne doivent présenter aucun signe de détérioration, ni de craquelure visible avec une vision normale ou corrigée sans grossissement supplémentaire. Une minute après le retrait de la charge, il ne doit pas y avoir de déformation permanente supérieure à 3 mm.

Les échantillons sont considérés comme ayant satisfait aux essais, si tous les échantillons satisfont aux exigences ci-dessus.

5.3 Essai de joint d'étanchéité d'électrode de terre

Le joint d'étanchéité d'électrode de terre doit être monté selon les instructions du constructeur dans un banc d'essai typique, qui prouve son application prévue (tel qu'indiqué sur la Figure 2).



IEC 1400/11

Légende

- 1 réservoir rempli d'eau
- 2 électrode de terre
- 3 joint d'étanchéité d'électrode de terre
- 4 joints d'étanchéité
- 5 air

Figure 2 – Installation d'essai pour l'essai d'étanchéité

Une pression d'air minimale de 5 bar doit être appliquée en continu pendant 24 h au joint d'étanchéité.

Les échantillons sont considérés comme ayant satisfait à l'essai, si la constatation suivante est faite: aucune fuite ne doit être détectée aux points d'étanchéité à la fin de l'essai.

5.4 Marquage

Le marquage réalisé par moulage, pressage ou gravure n'est pas soumis à cet essai.

Le marquage est vérifié par examen et par frottement avec la main pendant 15 s avec un morceau de tissu imbibé d'eau, et à nouveau pendant 15 s avec un morceau de tissu imbibé de white spirit.

Après l'essai, le marquage doit rester lisible.

6 Compatibilité électromagnétique (CEM)

Dans des conditions d'utilisation normale, les produits concernés par la présente norme sont passifs en ce qui concerne les perturbations électromagnétiques (émission et immunité).

7 Structure et contenu du rapport d'essai

7.1 Généralités

Cet article a pour objet d'indiquer les exigences générales pour les rapports d'essais des laboratoires. Il est destiné à élaborer des procédures de rapport claires et complètes pour les laboratoires rédigeant les rapports d'essais.

Les résultats de chaque essai effectué par le laboratoire doivent être consignés de manière précise, claire, non ambiguë et objective, conformément à toutes les instructions des méthodes d'essais. Les résultats doivent être consignés dans un rapport d'essai et doivent comprendre toutes les informations nécessaires pour l'interprétation de ces résultats d'essai, et toutes les informations requises par la méthode d'essai employée.

Une attention particulière doit être portée à la présentation du rapport, en particulier concernant la présentation des données d'essai, afin d'en faciliter l'assimilation par le lecteur. Le format doit être spécialement conçu et adapté à chaque type d'essai, mais le sommaire doit être normalisé comme indiqué ci-après.

La structure de chaque rapport doit au moins inclure les informations conformes aux points 7.2 à 7.7.

7.2 Identification du rapport

7.2.1 Un titre ou un sujet de rapport.

7.2.2 Nom, adresse et numéro de téléphone du laboratoire d'essais.

7.2.3 Nom, adresse et numéro de téléphone du laboratoire d'essais sous-traitant, où les essais ont été réalisés, si celui-ci est différent de la société désignée pour effectuer les essais.

7.2.4 Numéro d'identification unique (ou numéro de série) du rapport d'essai.

7.2.5 Nom et adresse du vendeur.

7.2.6 Le rapport doit être paginé et le nombre total de pages indiqué.

7.2.7 Date de parution du rapport.

7.2.8 Date(s) de réalisation de l' (des) essai(s).

7.2.9 Signature et titre, ou une identification équivalente de la (des) personne(s) autorisée(s) à signer pour le compte du laboratoire d'essais le contenu du rapport.

7.2.10 Signature et titre de la (des) personne(s) ayant conduit les essais.

7.3 Description de l'échantillon

7.3.1 Description détaillée et identification non ambiguë de l'échantillon d'essai et/ou de l'assemblage d'essai.

7.3.2 Caractéristiques et conditionnement de l'échantillon d'essai et/ou de l'assemblage d'essai.

7.3.3 Procédure d'échantillonnage, si nécessaire.

7.3.4 Date de réception des échantillons d'essai.

7.3.5 Photos, figures ou tout autre document graphique, si disponible.

7.4 Normes et références

7.4.1 Identification de la norme d'essai employée et de sa date de publication.

7.4.2 Toute autre documentation utile avec sa date de publication.

7.5 Procédure d'essai

7.5.1 Description de la procédure d'essai.

7.5.2 Justification de tout écart, ajout, ou exclusion par rapport aux normes de référence.

7.5.3 Toute autre information utile pour un essai spécifique, comme par exemple les conditions environnementales.

7.5.4 Configuration de l'assemblage d'essai.

7.5.5 Emplacement de l'installation dans l'espace d'essai, et techniques de mesure.

7.6 Description des équipements et appareils d'essai

7.6.1 Description des équipements utilisés pour chacun des essais effectués.

7.6.2 Description des instruments de mesure

7.6.3 Caractéristiques, numéro de série et date d'étalonnage de tous les instruments utilisés pour le mesurage des valeurs spécifiées dans la norme.

7.7 Résultats et paramètres enregistrés

7.7.1 Les critères d'acceptation requis pour chaque essai défini par la norme.

7.7.2 Les résultats observés ou mesurés des essais.

7.7.3 Un état réussite/échec identifiant la partie des essais pour lesquels les échantillons ont échoué, ainsi que la description de la défaillance constatée.

Les grandeurs ci-dessus doivent être présentées sous forme de tableaux, graphiques, dessins, photographies ou tout autre document visuel approprié.

Bibliographie

EN 124:1994, *Dispositifs de couronnement et de fermeture pour les zones de circulation utilisées par les piétons et les véhicules – Principes de construction, essais types, marquage, contrôle de qualité*

EN 1253-1:2003, *Avaloirs et siphons pour bâtiments – Partie 1: Spécifications*

INTERNATIONAL
ELECTROTECHNICAL
COMMISSION

3, rue de Varembé
PO Box 131
CH-1211 Geneva 20
Switzerland

Tel: + 41 22 919 02 11
Fax: + 41 22 919 03 00
info@iec.ch
www.iec.ch