

Technical data sheet

PV complete block 1,000 V DC



Item no. 5094230



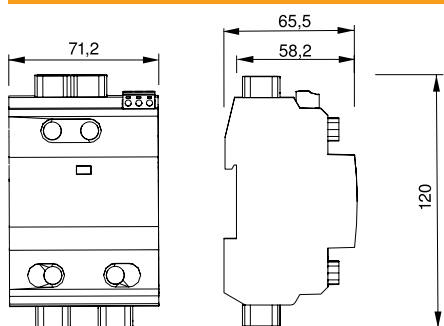
Type 1+2 combination arrester according to EN 50539-11 for lightning and surge protection of PV systems.

- Lightning protection equipotential bonding according to IEC 62305 (VDE 0185-305)
- Surge protection according to IEC 60364-7-712 (VDE 0100-712)
- Arresting capacity to 12.5 kA (10/350) and 40 kA (8/20)
- Error-resistant Y circuit with status display
- The FS variant possesses a potential-free changeover contact for remote signalling

Application: Lightning current and surge protection devices for PV systems.



Dimensions



| | |
|--------|-----------|
| Length | 65,50 mm |
| Width | 71,20 mm |
| Height | 120,00 mm |

Master data

| | |
|--------------------------|-----------------------------|
| Item no. | 5094230 |
| Type | V-PV-T1+2-1000 |
| Description 1 | CombiController V-PV |
| Description 2 | Y-connection for PV systems |
| Dimension | 1000V DC |
| Colour | Grey |
| Smallest sales unit (VG) | 1,00 Piece |
| Weight | 40,70 kg/100 pc. |

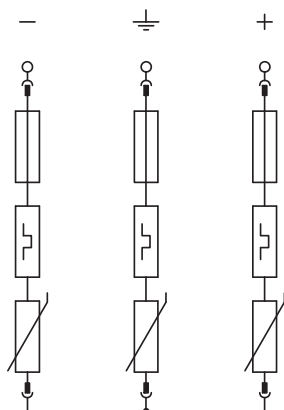
Technical data sheet

PV complete block 1,000 V DC

Item no. 5094230



Technical data



| | |
|---|-------------------------------------|
| SPD to EN 61643-11 | Type 1+2 |
| SPD to IEC 61643-11 | Class I+II |
| Test class, type 1 | <input checked="" type="checkbox"/> |
| Test class, type 2 | <input checked="" type="checkbox"/> |
| Maximum continuous voltage DC | 1.000,00 V |
| U max DC | 1.000,00 V |
| Nominal discharge current (8/20) | 20 kA |
| Rated current | 50,00 A |
| Maximum discharge current (8/20 µs) | 40,00 kA |
| Lightning surge current (10/350 µs) | 6,25 kA |
| Impulse discharge current (10/350) | 6,25 kA |
| Lightning surge current (10/350) | 12,50 kA |
| Arrestor surge current (8/20 µs) [total] | 40,00 kA |
| Arrestor surge current (8/20) [total] | 40,00 kA |
| Protection level | 3,30 kV |
| Protection level | < 3,3 kV |
| Response time | < 25 ns |
| Temperature range | -40-80 °C |
| Pole version | Other |
| Version | Y configuration |
| Version | Other |
| Mounting type | Hat rail 35 mm |
| Installation type | DIN rail 35 mm |
| Protection rating | IP20 |
| Protection rating | IP20 |
| Blow-out | <input type="checkbox"/> |
| Size | 4 part units |
| Division unit TE (17.5 mm) | 4 |
| Remote signalling | <input type="checkbox"/> |
| Integrated back-up fuse | <input type="checkbox"/> |
| Max. cable cross-section flexible (fine-wire) | 35,00 mm ² |
| Max. cable cross-section rigid (single wire/multi-wire) | 35,00 mm ² |
| Conductor cross-section, flexible (fine-wire) | 2,50 - 35,00 mm ² |
| Connection cross-section, flexible | 2,50 - 35,00 mm ² |
| Conductor cross-section, rigid (single wire/multi-wire) | 2,50 - 35,00 mm ² |
| Connection cross-section, rigid | 2,50 - 35,00 mm ² |
| Connection cross-section, multi-wire | 2,50 - 35,00 mm ² |
| Max. PV voltage | 1.000,00 V |
| Signalling on device | Visual |